



Sink - CL.1

Lavatory spout, deck-mounted without drain - polished chrome

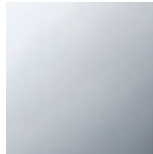
Article number: 13 714 705-00



- 6-1/4" Projection
- Rigid spout
- Rectangular aerator with 40 individual streams
- Total height 4-1/4"
- Height to aerator/spout outlet 3-3/4"
- 1-3/8" hole diameter
- 1/2" connection
- Water flow rate limited to max. 1.1 gpm
- lead-free

Codes & Standards

- NSF/ANSI 372
 - California Energy Commission (CEC)
 - ASME A112.18.1/CSA B125.1
 - NSF/ANSI/CAN 61
-
- Fittings group in compliance with DIN 4109: 1



polished chrome



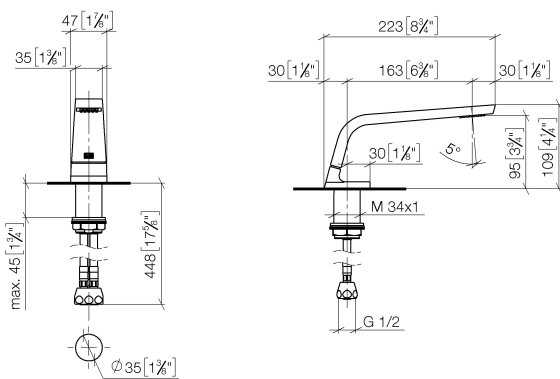
Sink - CL.1

Lavatory spout, deck-mounted without drain - polished chrome

Article number: 13 714 705-00

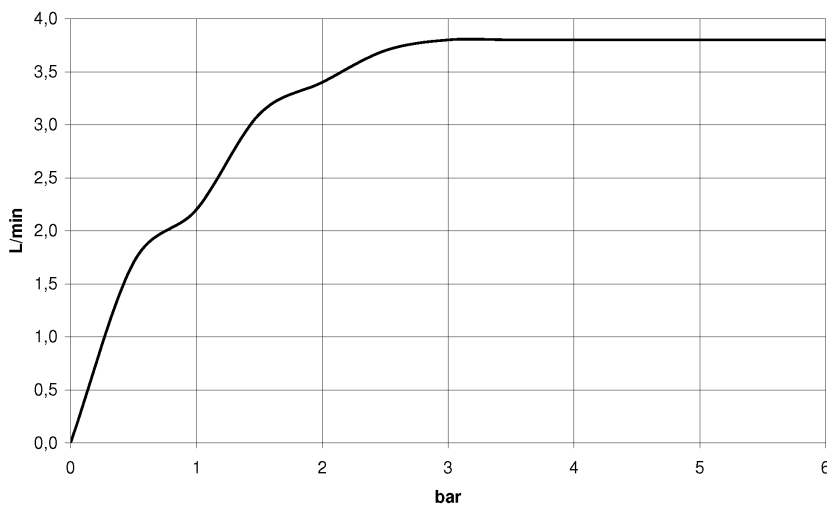
Dimensional drawing

mm [inches]



All dimensions in mm / inch = mm x 0,0394

Flow rate chart





Sink - CL.1

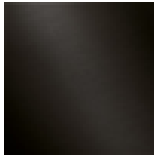
Lavatory spout, deck-mounted without drain - polished chrome

Article number: 13 714 705-00

Other surface finishes



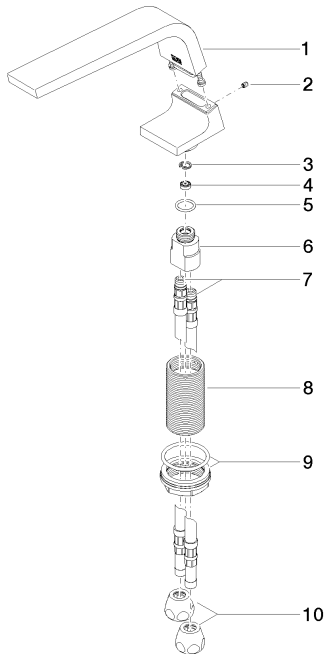
platinum matte
13 714 705-06



Dark Platinum matte
13 714 705-99

More custom finish options are available via special production (xTra Service). Please see our finish matrix for availability and pricing or contact a Dornbracht representative.

Spare parts list



Number	Item Number	Designation	Number of units
1	90 11 70 002 00-00	spout	1
2	09 31 11 044 90	pin	1
3	09 16 01 016 90	ring	1
4	09 23 01 034 90	flow reducer	1
5	09 14 10 130 90	seal	1
6	09 11 10 055 10 90	connection	1
7	04 30 04 016 00 90	hose	2
8	09 30 01 208 90	connection	1
9	04 23 10 044 06 90	fixing set	1
10	04 23 30 040 00-00	threaded connector	2